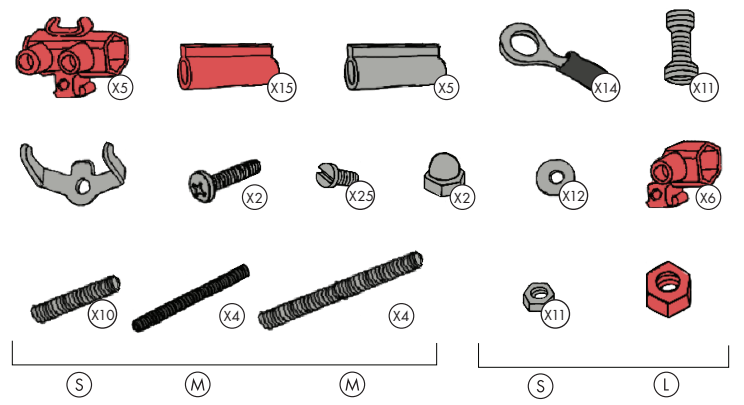
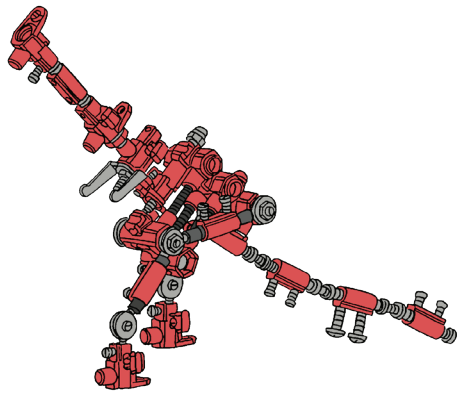


T-REXBIT™

EXPERT



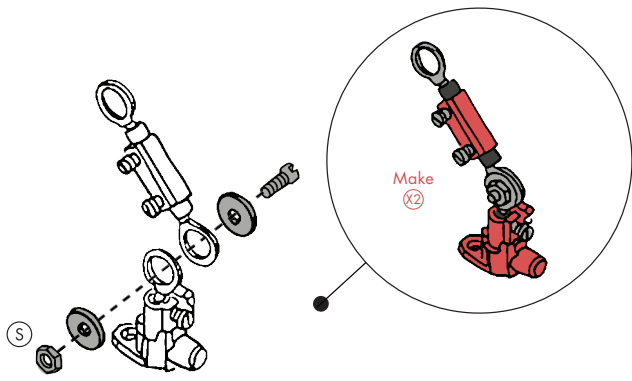
Online Instructions



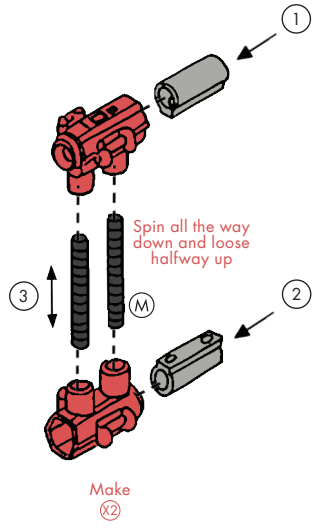
- 1
- 2
- 3
- 4
- 5
- 6
- 7
- 8
- 9
- 10
- 11
- 12
- 13
- 14

Additional callouts: "Stage 3", "Stage 4", "Make (X2)", "Make (X4)", "Keep two for stage 21".

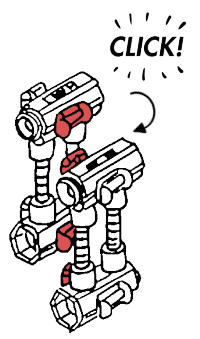
15



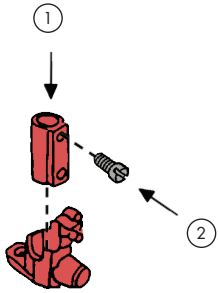
16



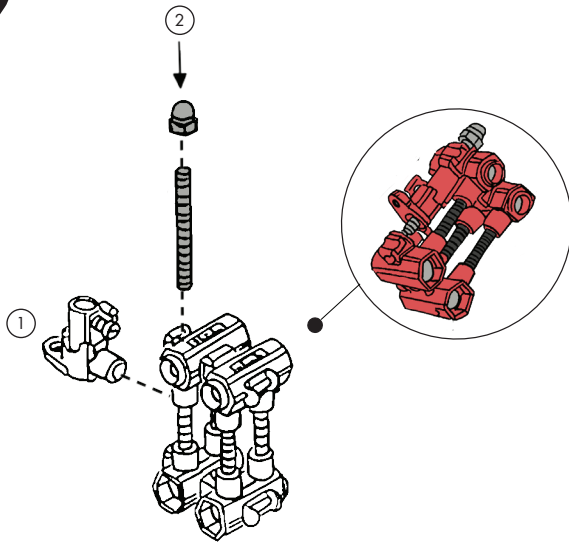
17



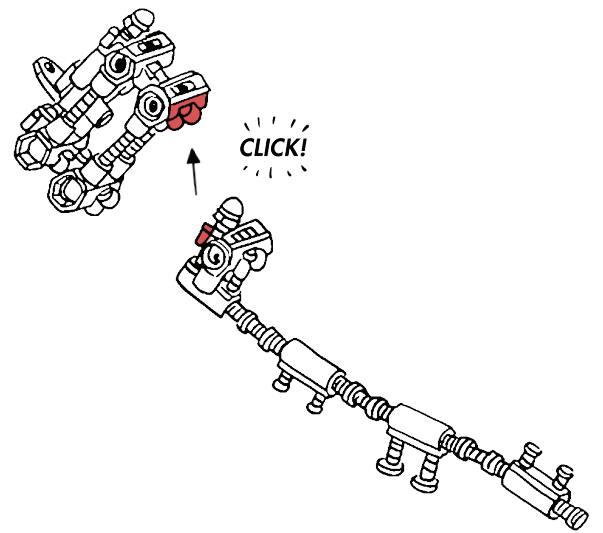
18



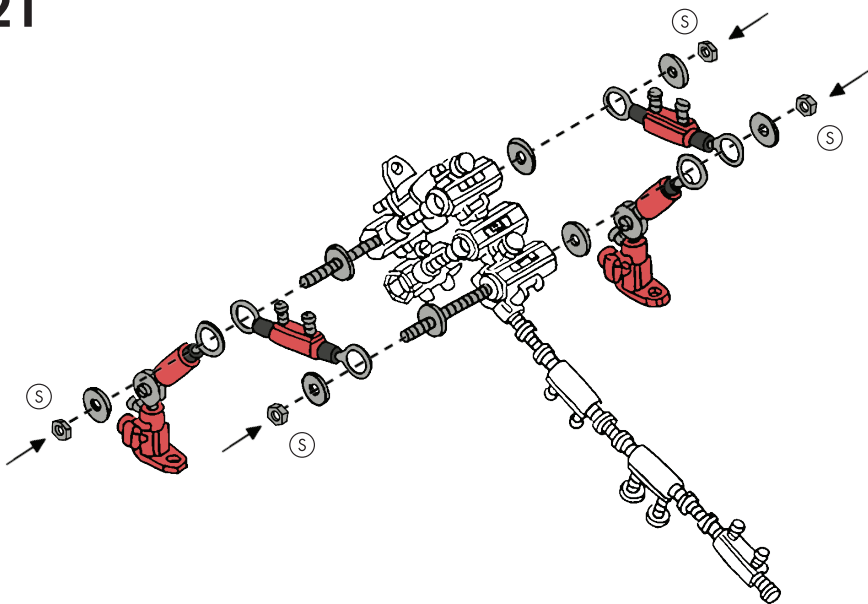
19



20



21



22

